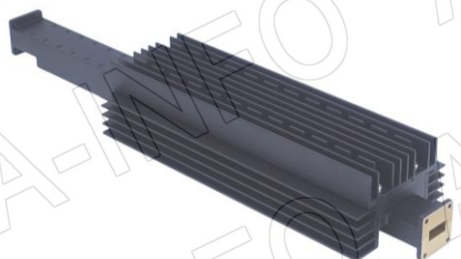


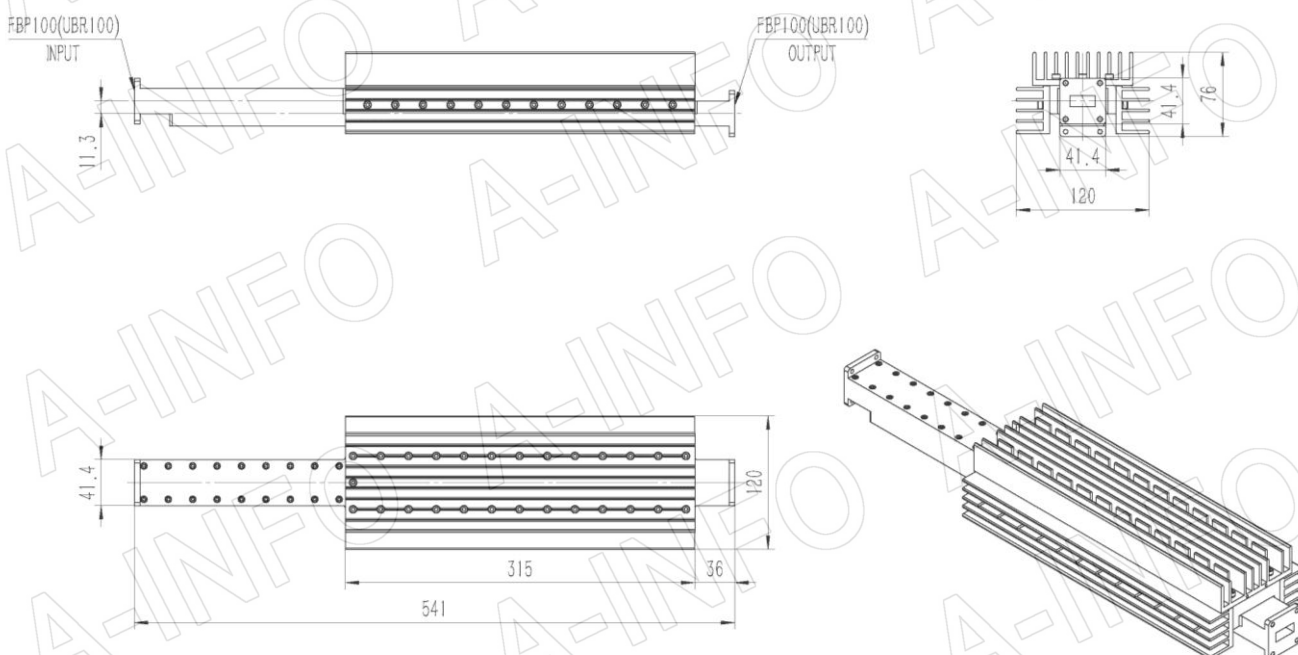
For reference only. See data sheet for the detailed specifications.

## Technical Specification

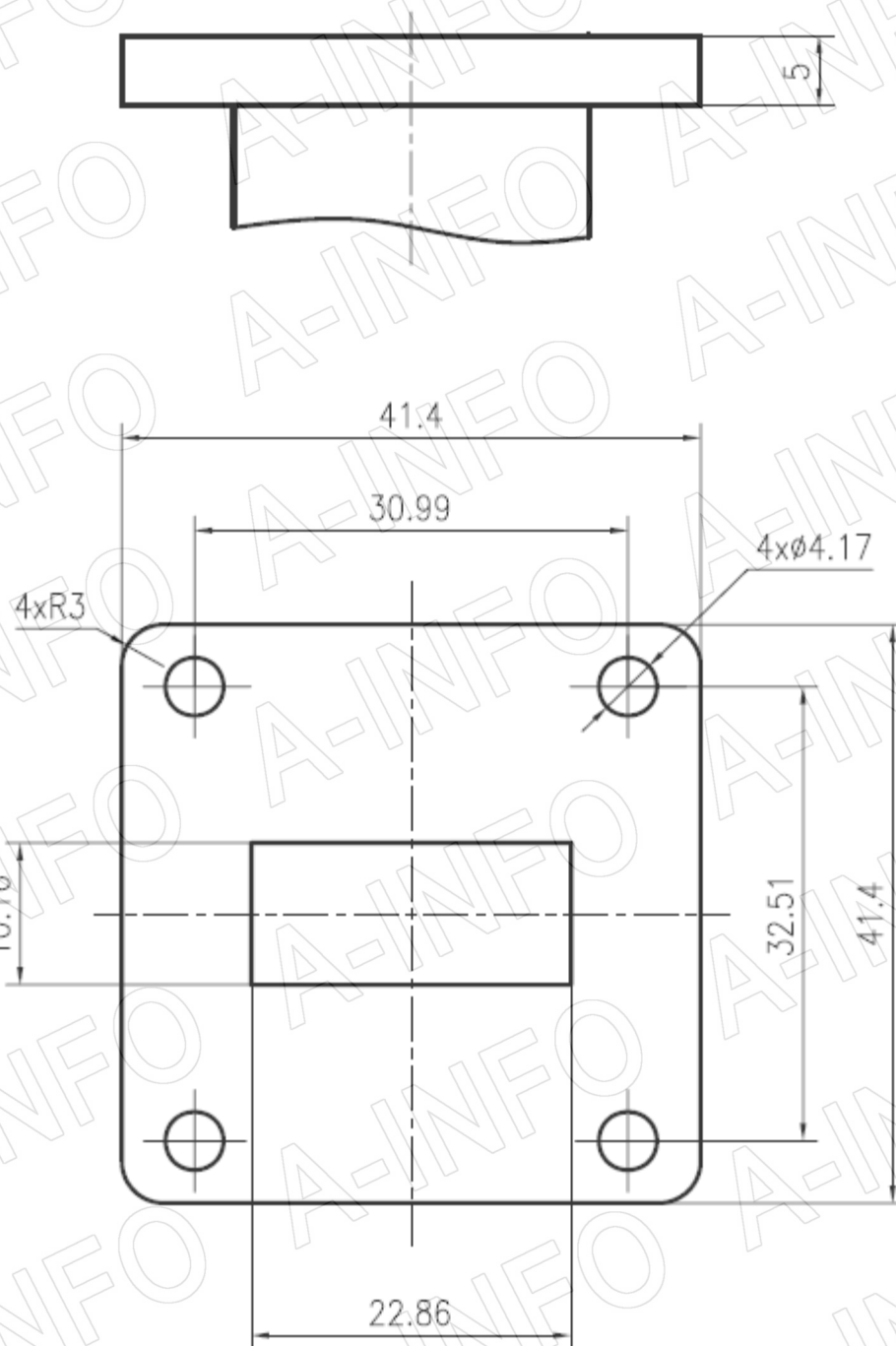


EIA WR	WR90
Frequency Range(GHz)	8.2 – 12.4
Attenuation(dB)	20
Attenuation Accuracy(dB)	±0.9 Max.
Attenuation Sensitivity(dB)	±0.7 Max.
VSWR	1.15:1 Max.
Average Power(W CW)	1100
Peak Power(KW)	290
Flange	FBP100(UBR100)
Material	Al
Size(mm)	541 x 120 x 76
Net Weight(Kg)	3.60 Around

## Outline Drawing (Size: mm)



## Flange Drawing (Size: mm)



### FBP100

**AINFO Inc.**

China(Beijing): Tel: (+86) 10-6266-7326,  
China(Chengdu): Tel: (+86) 28-8519-2786,  
USA: Tel: (+1) 949-639-9688,

Page 2 of 3

(+86) 10-6266-7327 Fax: (+86) 10-6266-7379  
(+86) 28-8519-3044 Fax: (+86) 28-8519-3068  
(+1) 949-639-9608 Fax: (+1) 949-639-9670

Website: [www.ainfoinc.com](http://www.ainfoinc.com)  
Email: [sales@ainfoinc.com](mailto:sales@ainfoinc.com)

## Test Results

### Attenuation & VSWR

CH1	\$11	\$VSWR	150 m / REF 1	5: 1.0452	8.347 000 000 GHz
CH2	\$21	LOG	.3 dB / REF -20 dB	5: -20.648 dB	9.364 000 000 GHz
CH3	\$21	LOG	.3 dB / REF -20 dB	5: -13.825 dB	12.400 000 000 GHz
CH4	\$22	\$VSWR	150 m / REF 1	5: 1.1118	8.200 000 000 GHz

